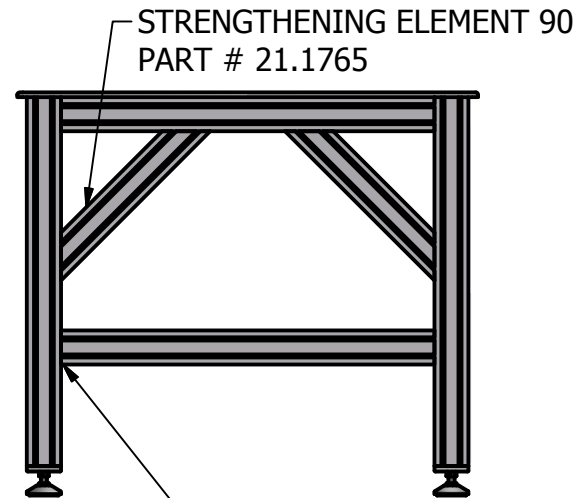
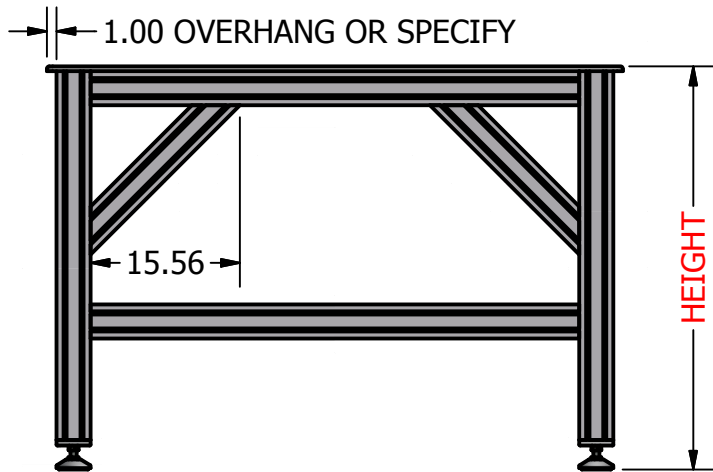
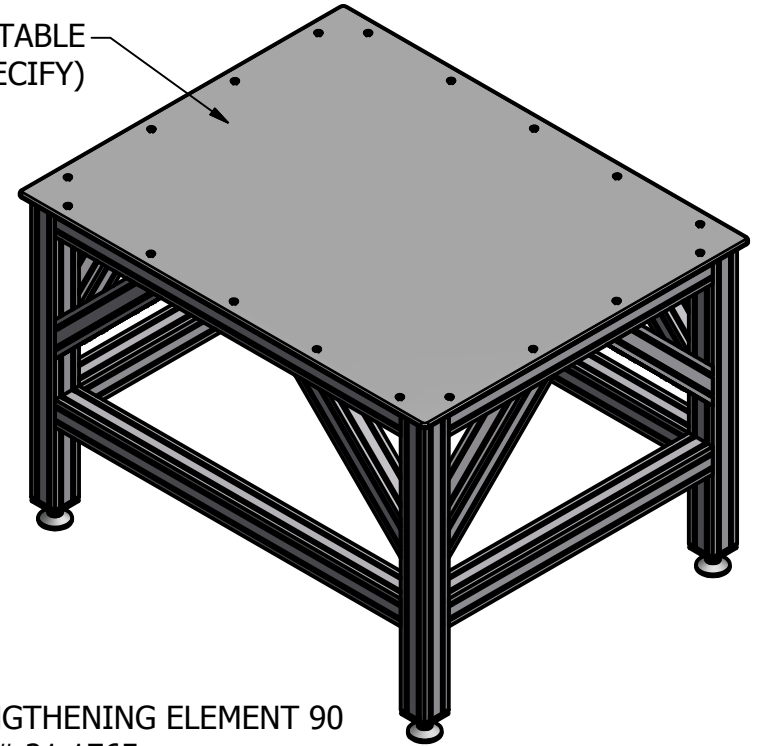


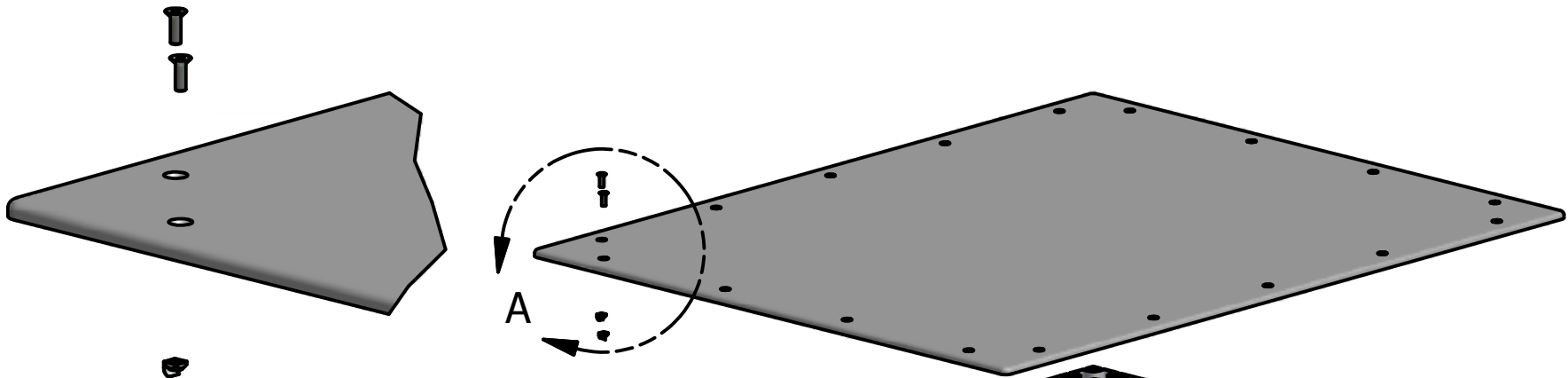
1/2" ALUMINUM TABLE TOP (OR SPECIFY)



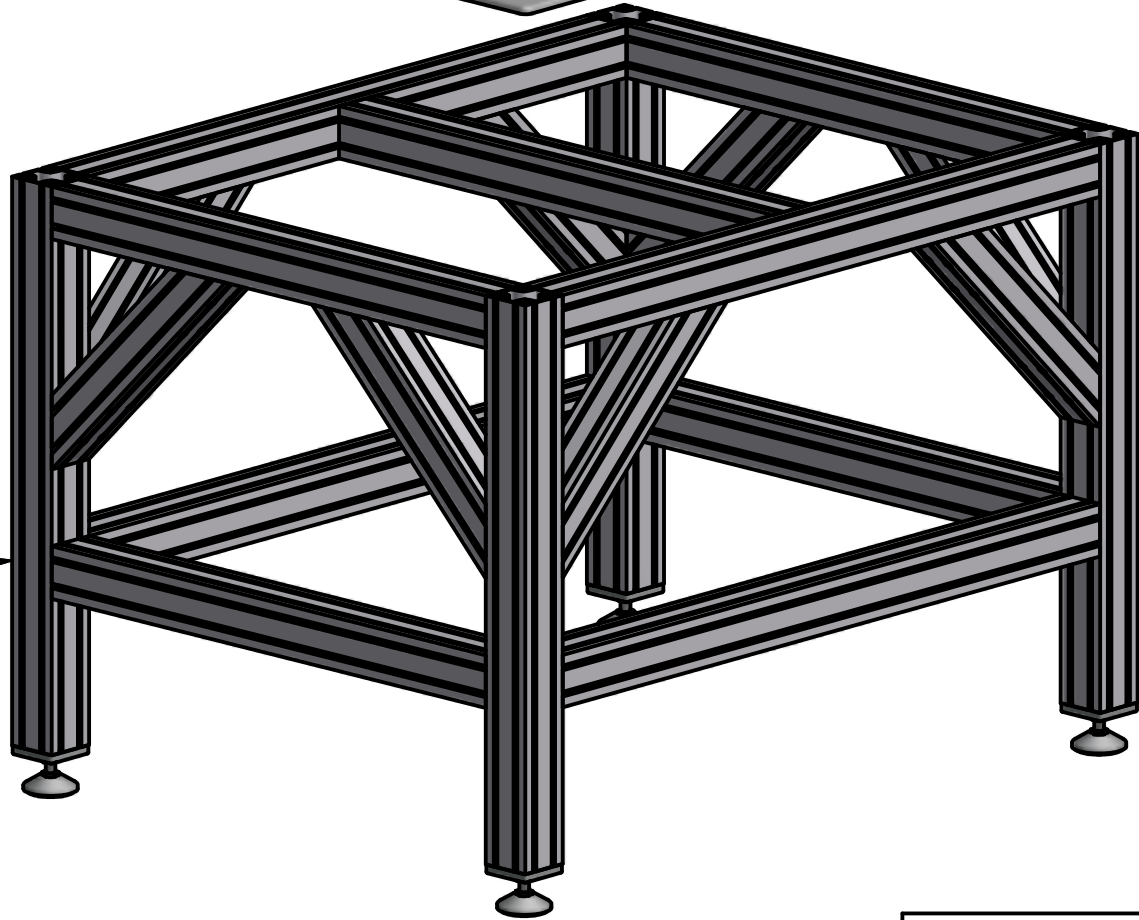
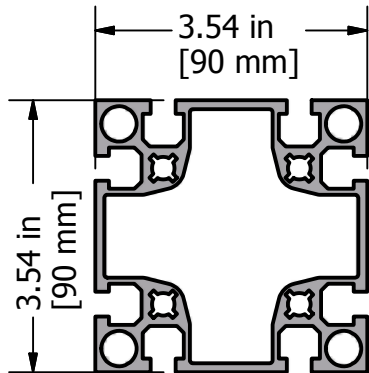
LOAD RATING DEPENDS ON SIZE & TYPE OF USE. THIS DESIGN IS GENERALLY FOR THE 1000 - 3000 POUND RANGE

**MiniTec**  
THE ART OF SIMPLICITY  
WWW.MINITECFRAMING.COM  
VICTOR, NY  
PH # 585 924-4690  
DIRECT 585 398-1240 EXT 104  
FX # 585 924-4821  
amoles@minitecframing.com

TITLE ADD TITLE	DWG NO <b>SP050613</b>	REV
--------------------	---------------------------	-----



PROFILES 90X90L  
P/N 20.1010



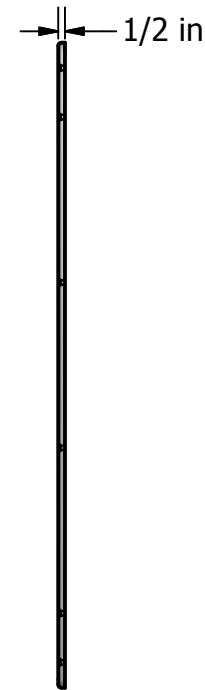
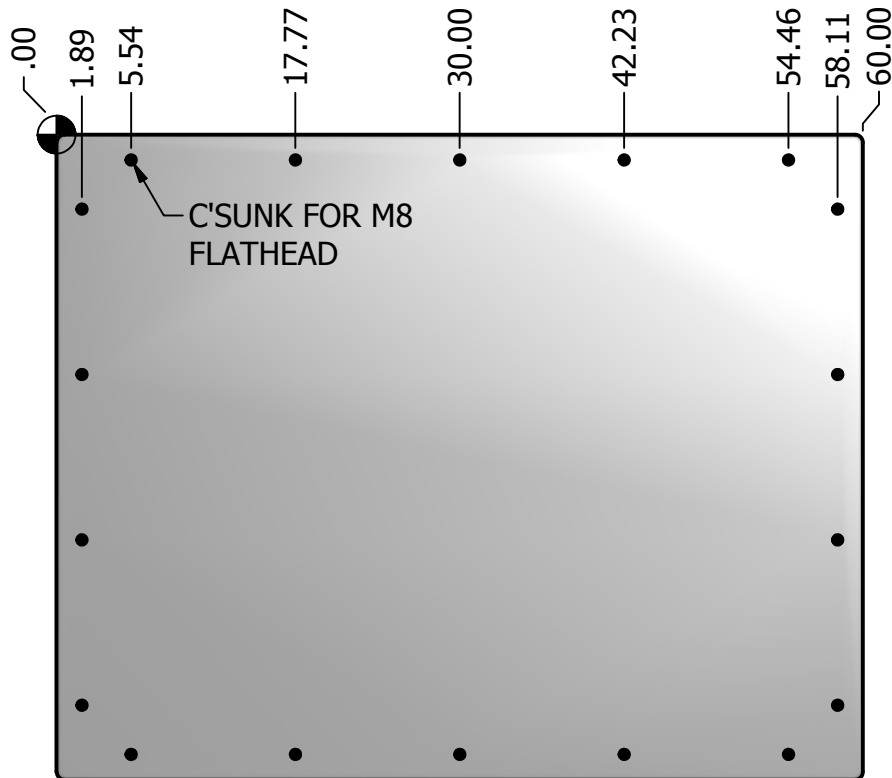
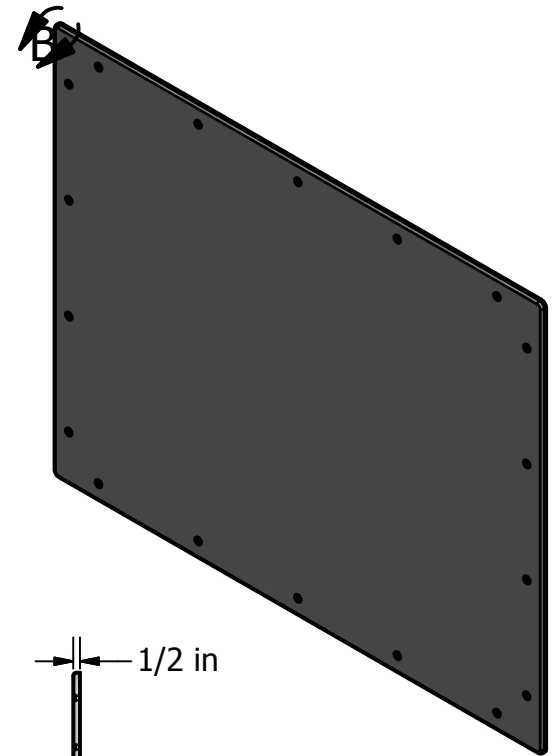
**MiniTec**  
THE ART OF SIMPLICITY

WWW.MINITECFRAMING.COM  
VICTOR, NY  
PH # 585 924-4690  
DIRECT 585 398-1240 EXT 104  
FX # 585 924-4821  
amoles@minitecframing.com

TITLE ADD TITLE	DWG NO <b>SP050613</b>	REV
--------------------	---------------------------	-----

EXAMPLE TOP FOR A 48" X 60" TOP  
WITH A 1" OVERHANG

1/4" FILLET FOR  
1/2" THICK PANELS



  
 THE ART OF SIMPLICITY  
 WWW.MINITECFRAMING.COM  
 VICTOR, NY  
 PH # 585 924-4690  
 DIRECT 585 398-1240 EXT 104  
 FX # 585 924-4821  
 amoles@minitecframing.com

TITLE ADD TITLE	DWG NO <b>SP050613 TABLE TOP</b>	REV
--------------------	-------------------------------------	-----